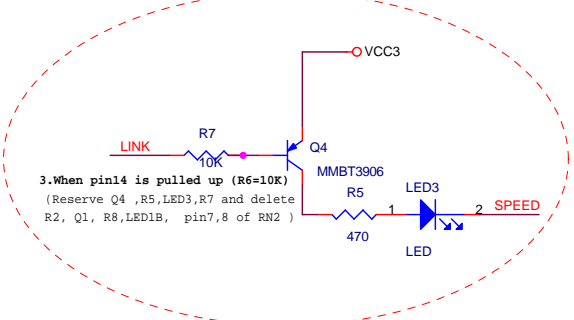
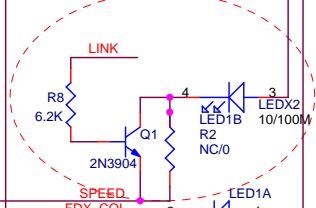


Note: please refer page8 and 12 of datasheet for how to choose " pull down(R6=NC) /pull up(R6=10K) "

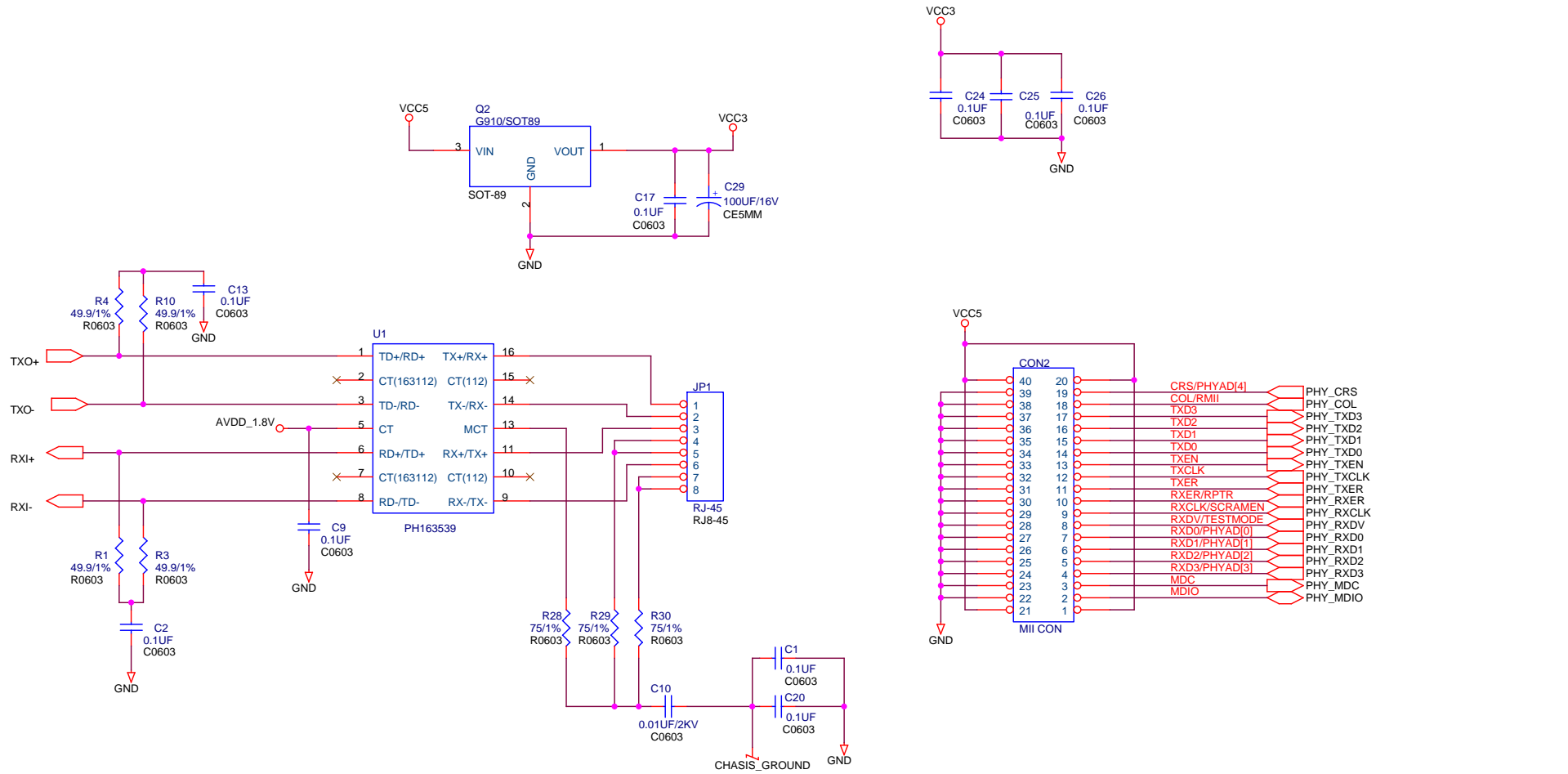


3. When pin14 is pulled up (R6=10K)
(Reserve Q4 ,R5,LED3,R7 and delete R2, Q1, R8,LED1B, pin7,8 of RN2)



1. Reserve R2 for DM9161A/ further application.
(Reserve R2 and delete Q1, R8,LED1B, pin7,8 of RN2 , Q4,R5,R7,LED3)
2. When pin14 is pulled down internally (R6=NC)
(Reserve Q1, LED1B,R8, pin7,8 of RN2 and delete R2,Q4, R5,R7,LED3)

Title		
DM9161B with AUTO-MDIX transformer		
Size	Document Number	Rev
	DM9161B-MII-V04-M	1.5-M
Date:	Wednesday, September 29, 2010	Sheet 1 of 2



Title		
DM9161B with AUTO-MDIX Transformer		
Size	Document Number DM9161B-MII-V04-M	Rev 1.5-M
Date:	Thursday, September 04, 2008	Sheet 2 of 2