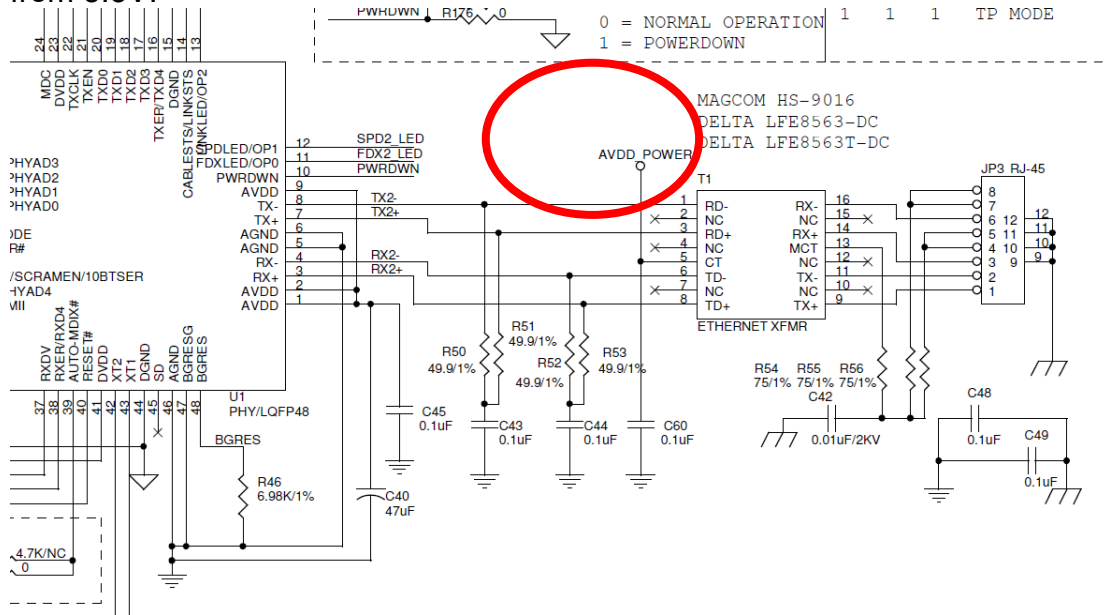


DM9163 Design Differences with DM9161A/B/C and DM9162

SED-SA
 Davicom Semiconductor Inc.
 03/29/2017

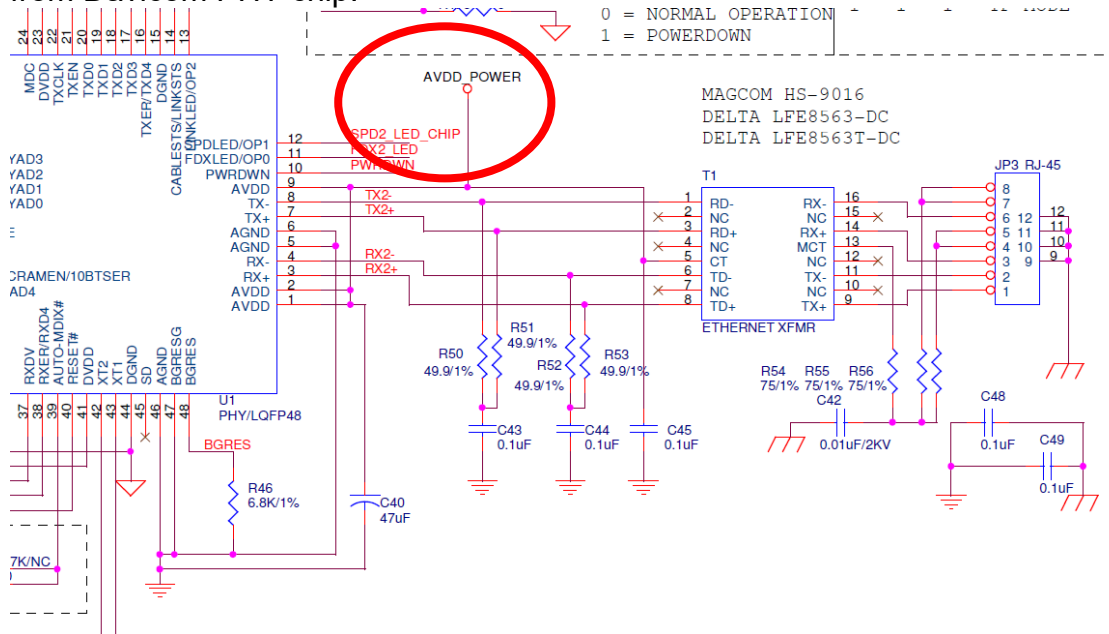
Hardware: DM9163

When using transformer and RJ-45, the center tab voltage of the transformer comes from 3.3V.



DM9161A/B/C and DM9162

When using transformer and RJ-45, the center tab voltage of the transformer comes from Davicom PHY chip.



There are no differences when the chips are used in fiber interface mode.

Software:

PHY IDs, register 2 and 3 for DM9161A/B/C, DM9162 and DM9163

	DM9161A	DM9161B	DM9161C	DM9162	DM9163
PHYID 1 (reg 2)	0x0181	0x0181	0x0181	0x0181	0x0181
PHYID 2 (reg 3)	0xB8A0	0xB8B0	0xB8B1	0xB8A0	0xB8A0