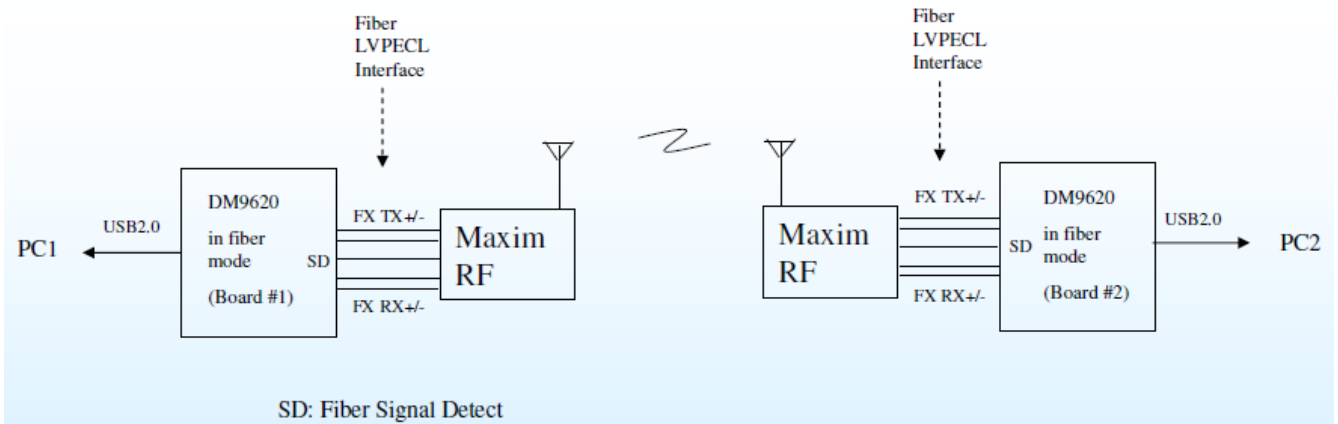
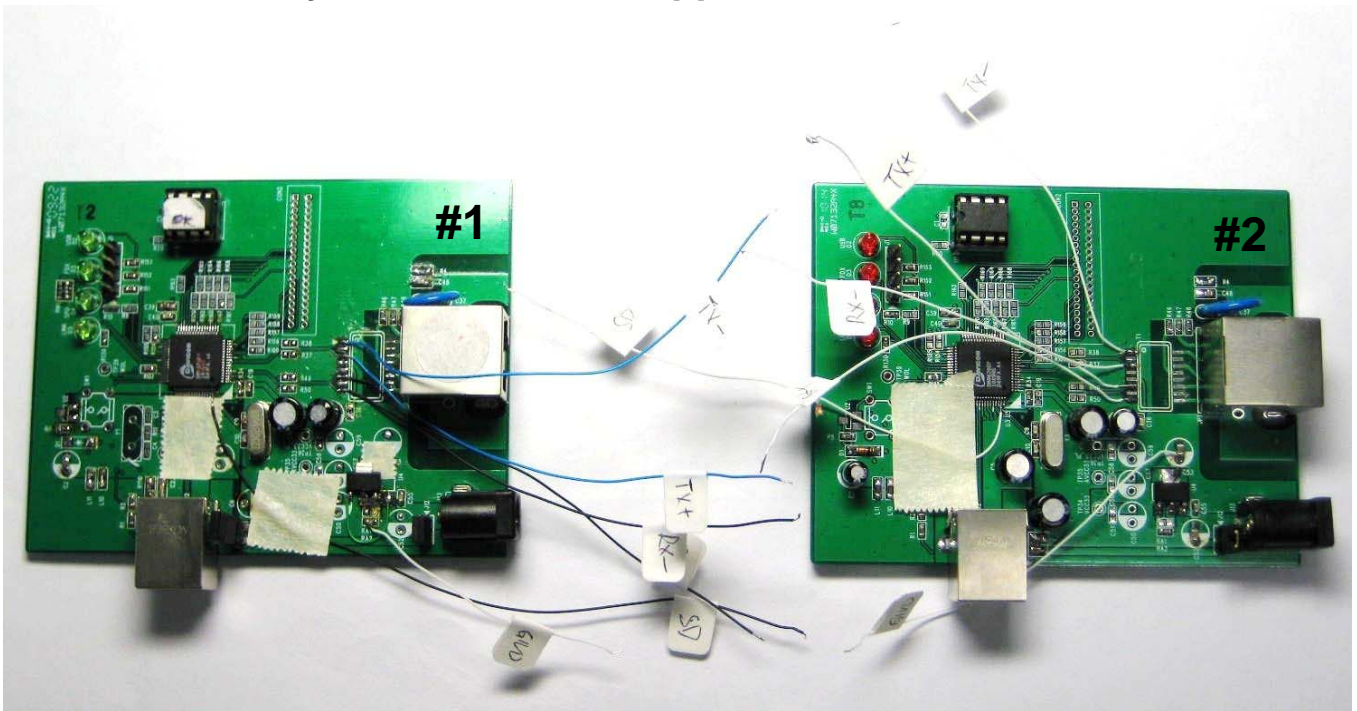


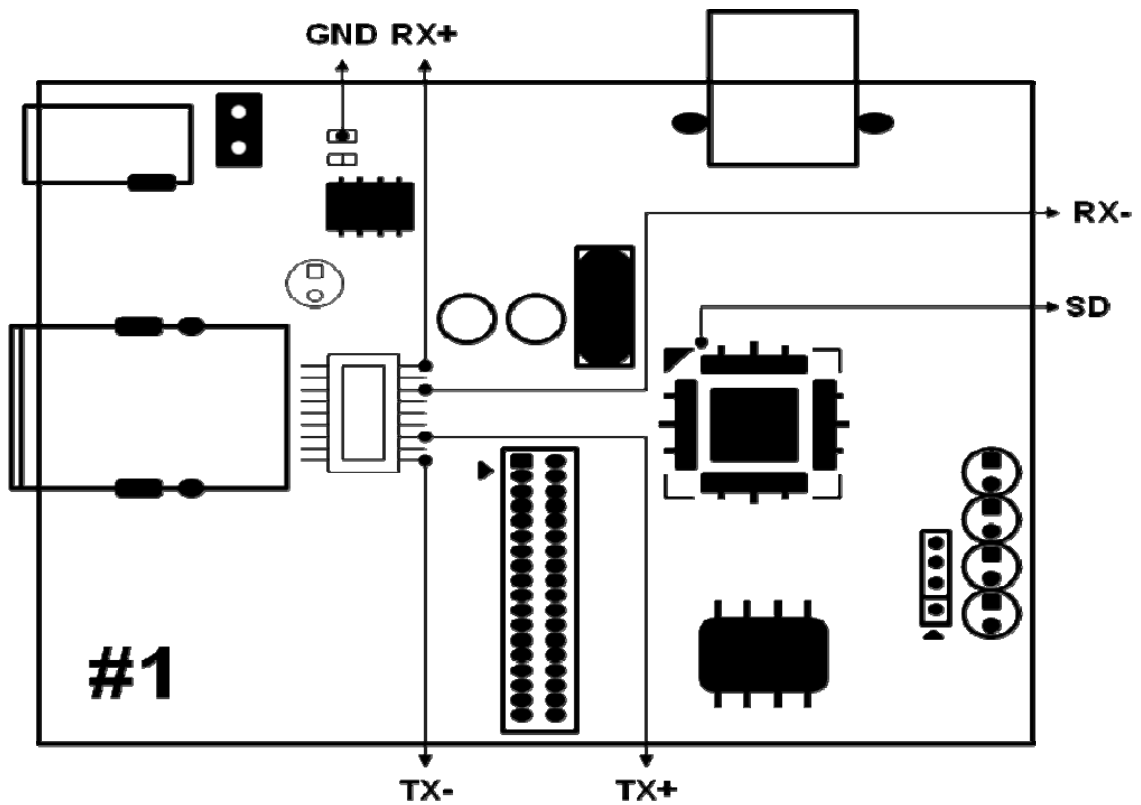
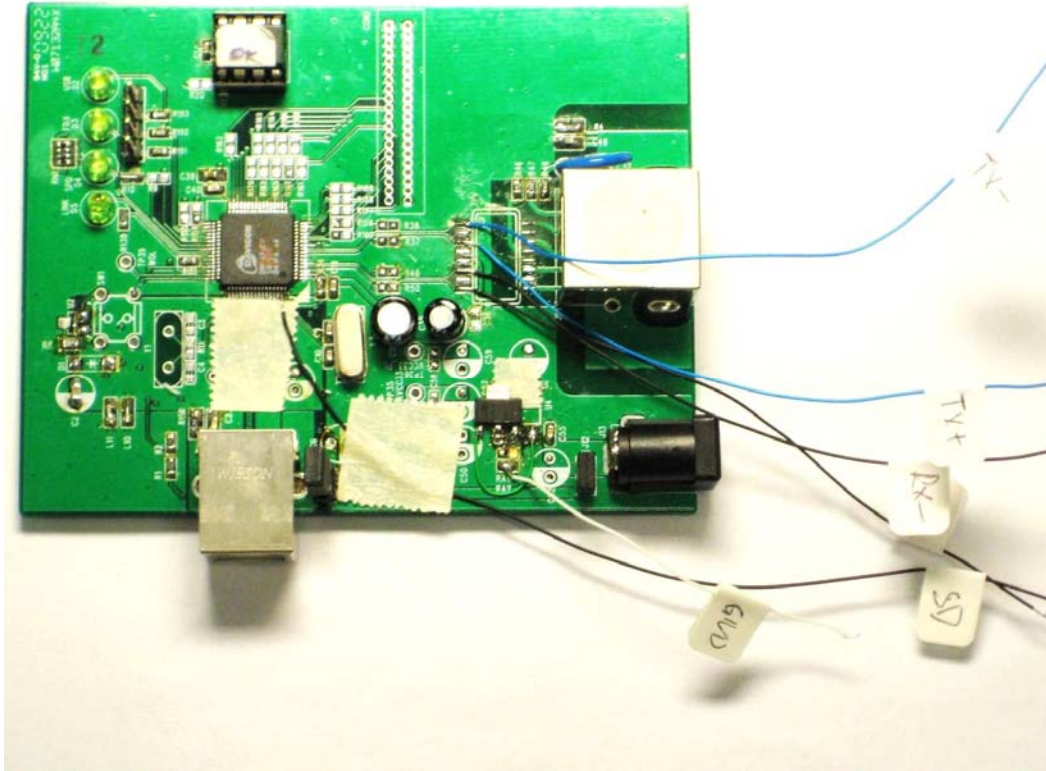
DM9620 USB2.0 to 10/100M Fast Ethernet Controller Fiber Board Setup



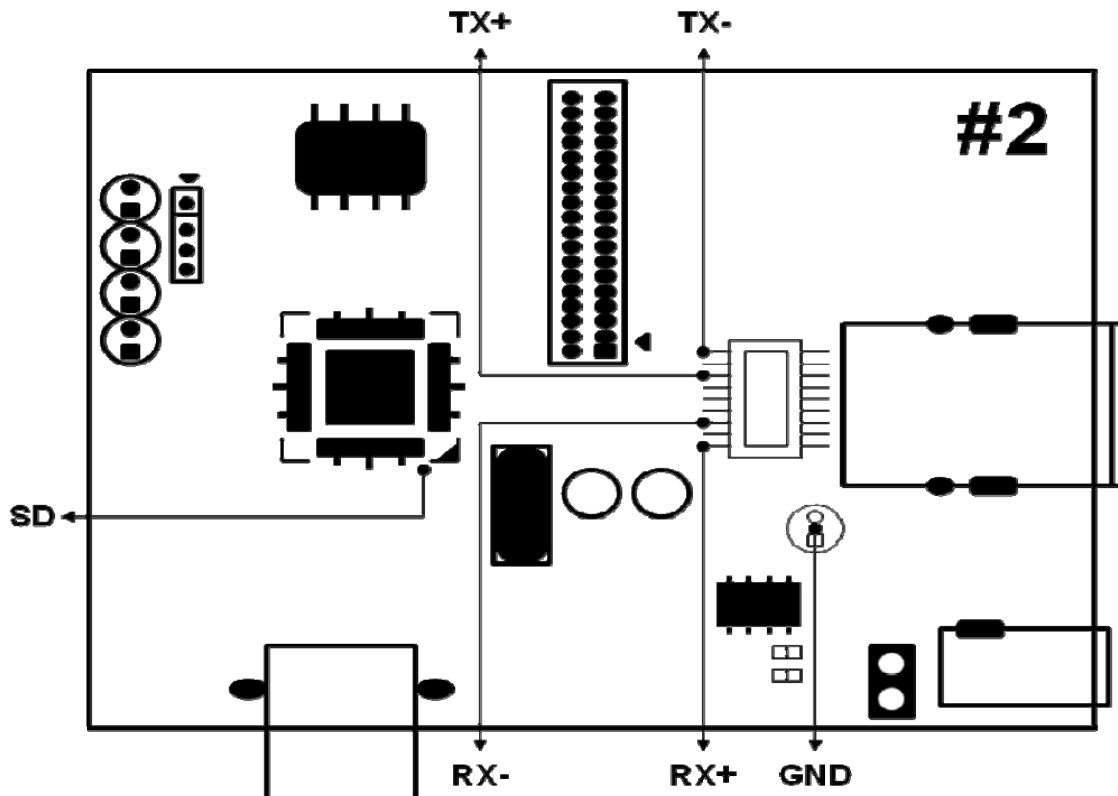
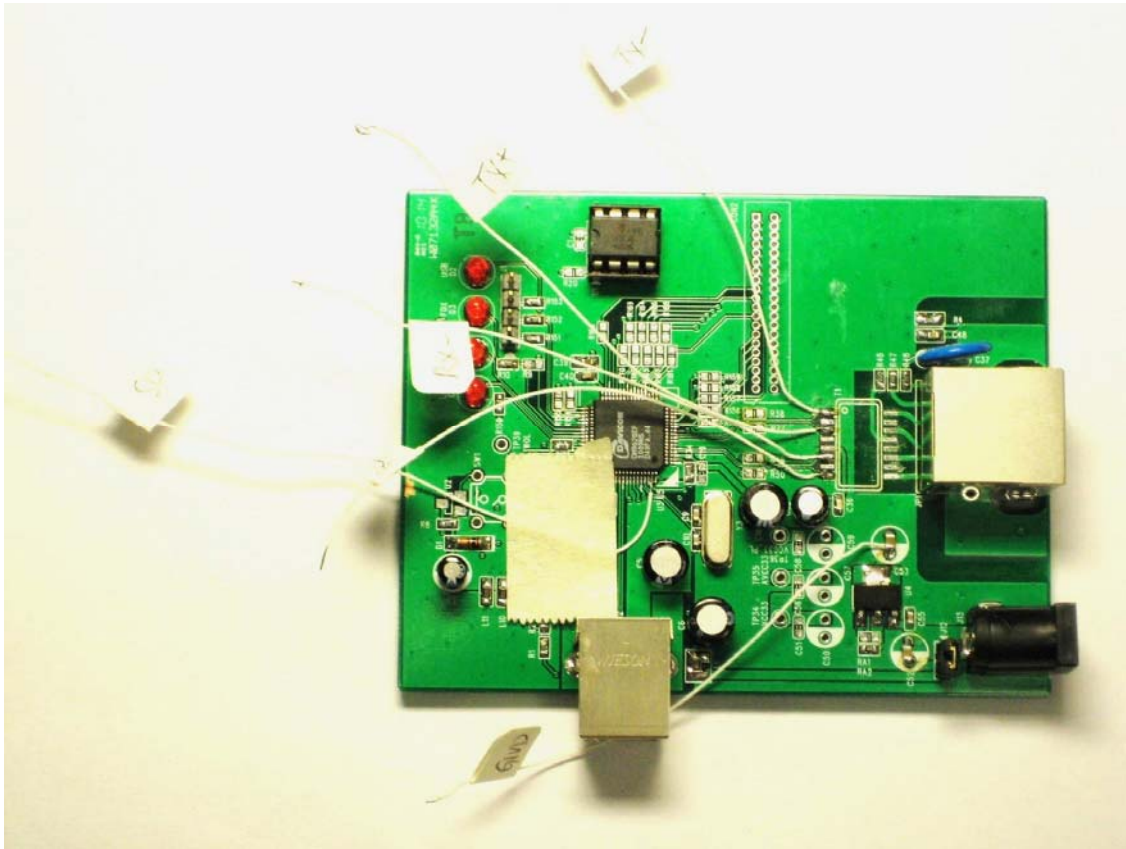
Note: Currently USB 2.0 driver support offered in Window XP ONLY

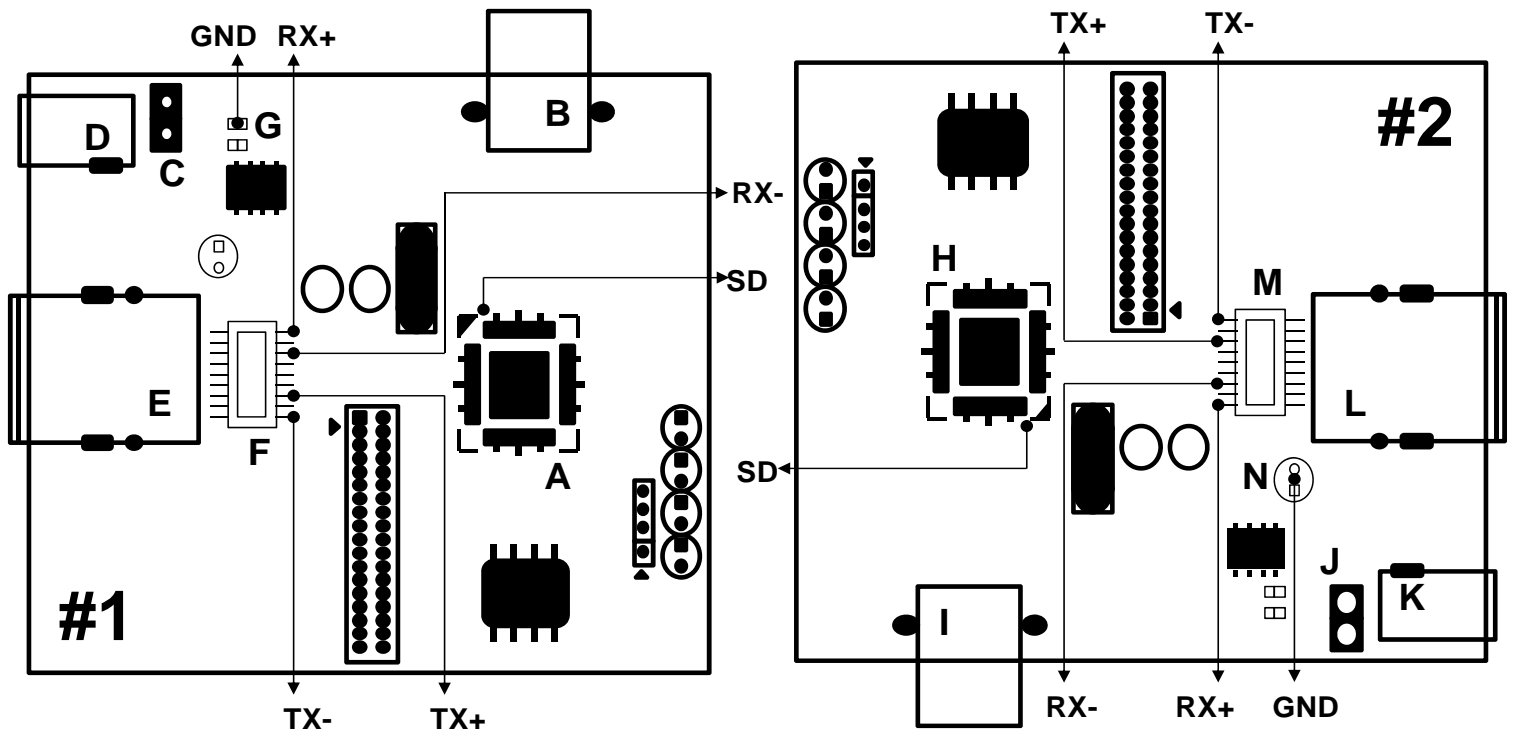


DM9620 Board #1



DM9620 Board #2




A. DM9620 – 1

- B.** DM9620 – 1: USB Connector
- C.** DM9620 – 1: J12 Jumper
- D.** DM9620 – 1: DC 5V in Jack
- E.** DM9620 – 1: RJ-45 Phone Jack
- F.** DM9620 – 1: Ethernet Transformer
- G.** DM9620 – 1: Ground Wire Connection

H. DM9620 – 2

- I.** DM9620 – 2: USB Connector
- J.** DM9620 – 2: J12 Jumper
- K.** DM9620 – 2: DC 5V in Jack
- L.** DM9620 – 2: RJ-45 Phone Jack
- M.** DM9620 – 2: Ethernet Transformer
- N.** DM9620 – 2: Ground Wire Connection

A. DM9620 – 1

- a. **SD:** Fiber Signal Detection
- b. **Currently USB 2.0 driver support offered in Window XP ONLY**
- c. The embedded DM9620 is a high performance and highly integrated High – Speed USB 2.0 to 10/100Mbps Fast Ethernet controller. Through the utilization of popular USB ports, the DM9620 enables low cost and affordable fast Ethernet network connection for application in desktops, notebook PCs, docking stations,

and embedded systems.

The DM9620 incorporates an internal 10/100Mbps Ethernet PHY, internal ASIC with embedded SSRAM offering packet buffering and a simplified design, and optional media-independent interfaces (MII/RMII/Reverse MII). An USB interface, which is compliant with USB specifications V1.0, V1.1, and V2.0, is used to communicate with the USB host controller. 10/100Mbps Ethernet LAN functionality in the DM9620 is implemented based on IEEE802.3 and IEEE802.3u standards.

PHY Setup:

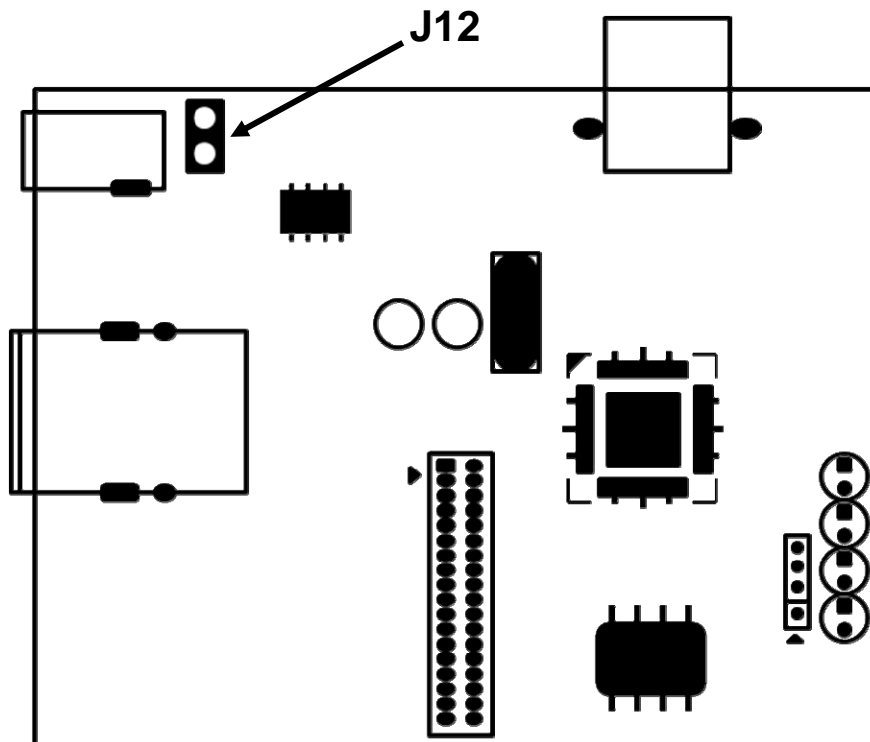
PHY Register	Value
0X00	0X2100
0X14	0X0010
0X10	0X4014

B. DM9620 – 1: USB Connector (Type B)

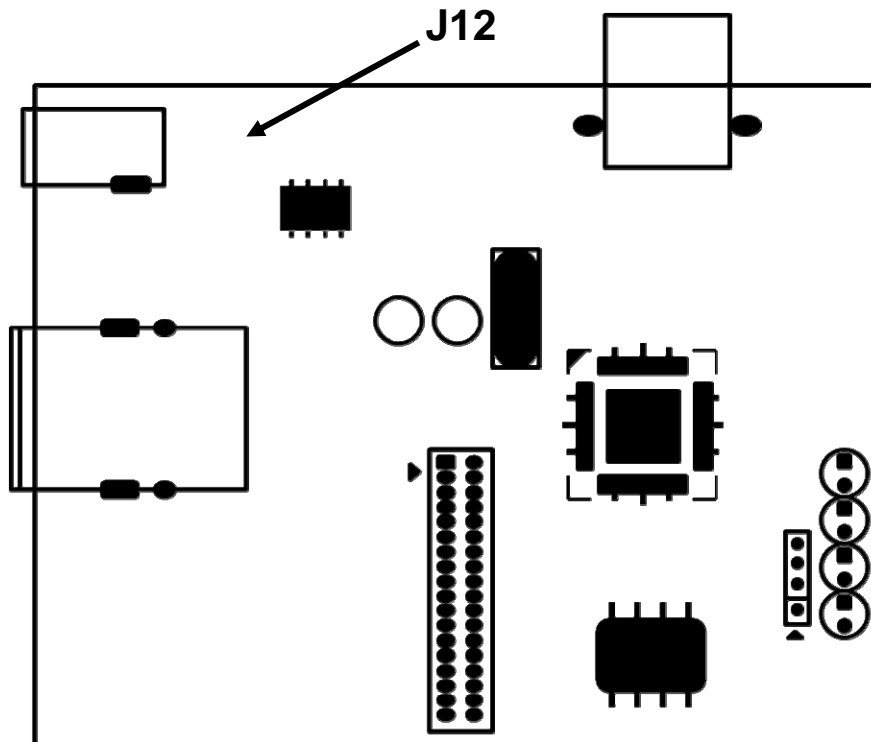
C. DM9620 – 1: J12 Jumper

- a. To connect to a PC USB for 5V power

J12 Jump must be **ATTACHED = ON THE BOARD**



- b. To use the DC 5V Jack (D) to connect to a DC-5V 1A Adaptor
J12 Jump must be **REMOVED** = OFF THE BOARD



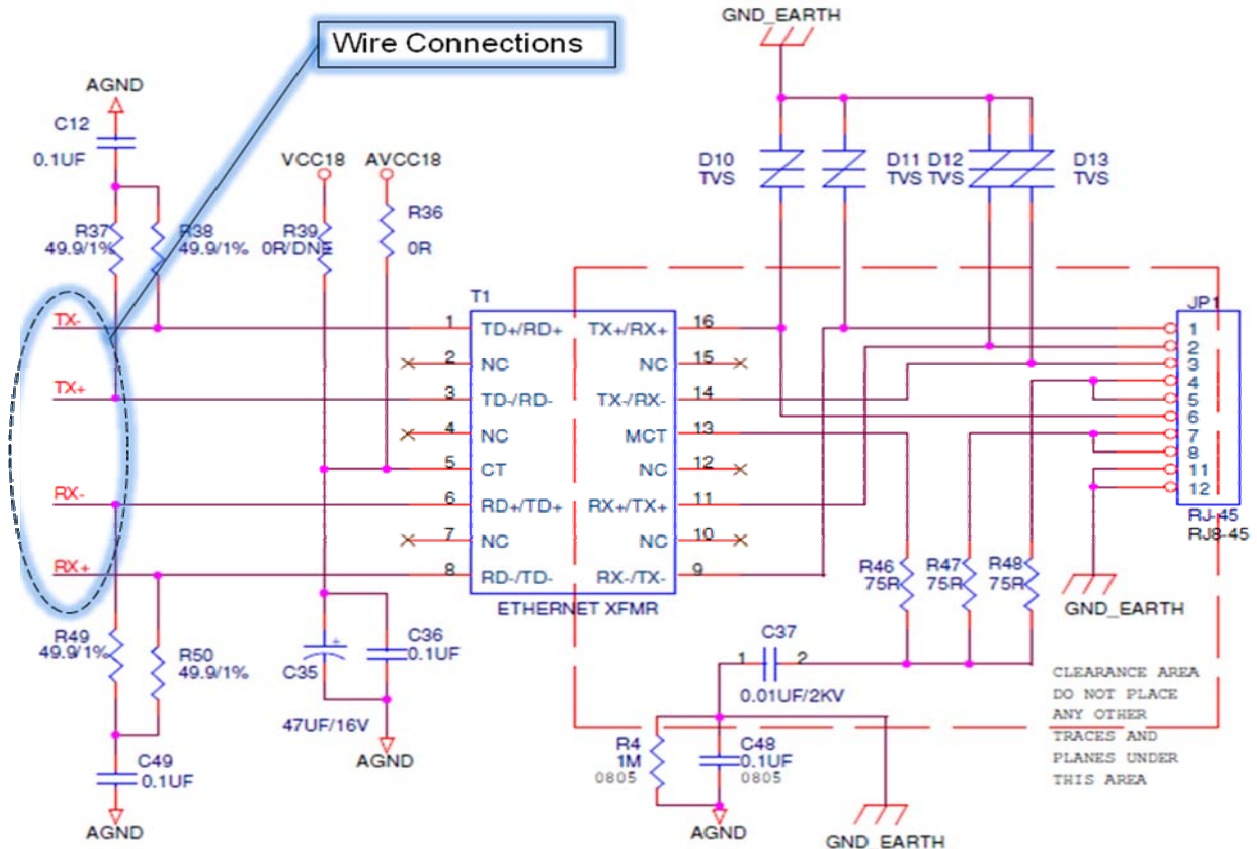
D. DM9620 – 1: DC 5V in Jack

- a. Connects to a DC-5V 1A Adaptor

E. DM9620 – 1: RJ-45 Phone Jack

- a. UNUSED

F. DM9620 – 1: Ethernet Transformer

 a. Wire connections for: **TX+, TX-, RX+, RX-**

G. DM9620 – 1: Ground Wire Connection

 a. **GND:** Ground Wire

H. DM9620 – 2

 a. **SD:** Fiber Signal Detection

 b. **Currently USB 2.0 driver support offered in Window XP ONLY**

c. The embedded DM9620 is a high performance and highly integrated High – Speed USB 2.0 to 10/100Mbps Fast Ethernet controller. Through the utilization of popular USB ports, the DM9620 enables low cost and affordable fast Ethernet network connection for application in desktops, notebook PCs, docking stations, and embedded systems.

The DM9620 incorporates an internal 10/100Mbps Ethernet PHY, internal ASIC with embedded SSRAM offering packet buffering and a simplified design, and optional media-independent interfaces (MII/RMII/Reverse MII). An USB interface, which is compliant with USB specifications V1.0, V1.1, and V2.0, is

used to communicate with the USB host controller. 10/100Mbps Ethernet LAN functionality in the DM9620 is implemented based on IEEE802.3 and IEEE802.3u standards.

PHY Setup:

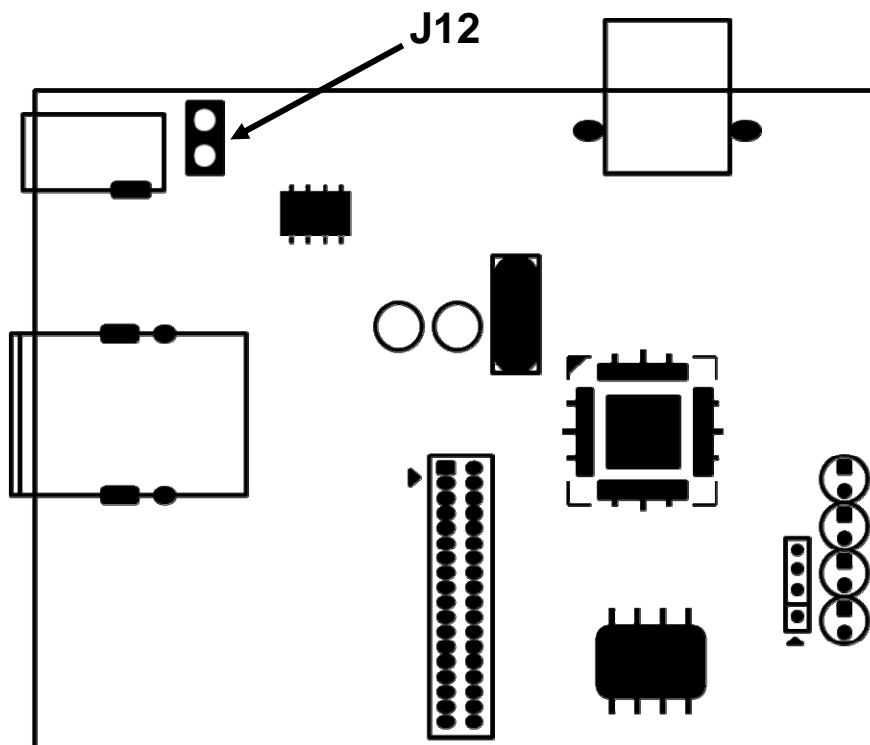
PHY Register	Value
0X00	0X2100
0X14	0X0010
0X10	0X4014

I. DM9620 – 2: USB Connector (Type B)

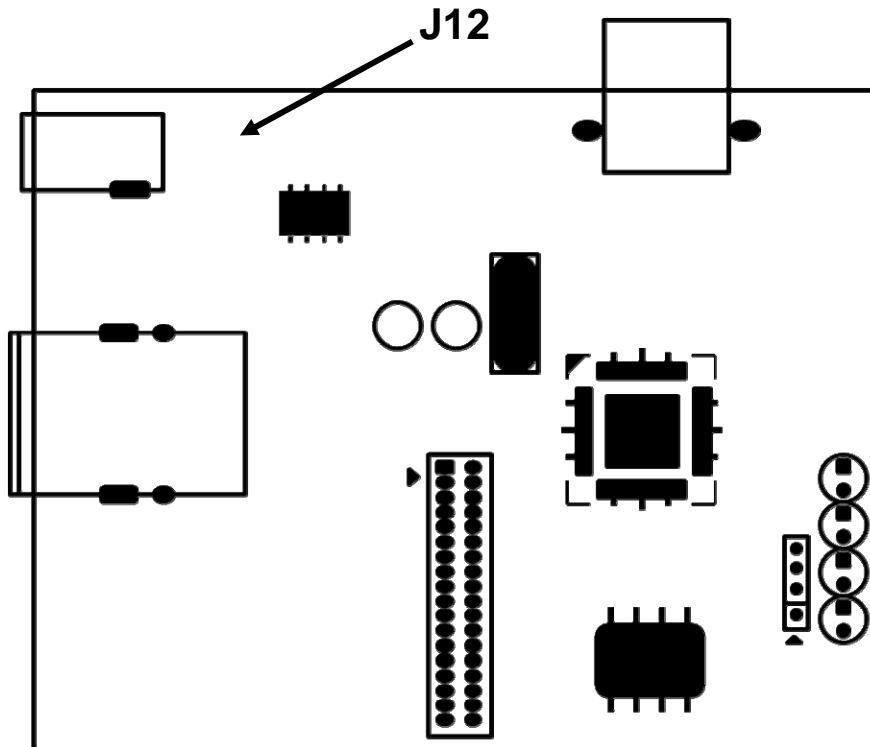
J. DM9620 – 2: J12 Jumper

- a. To connect to a PC USB for 5V power

J12 Jump must be **ATTACHED = ON THE BOARD**



- b. To use the DC 5V Jack (K) to connect to a DC-5V 1A Adaptor
J12 Jump must be **REMOVED** = OFF THE BOARD



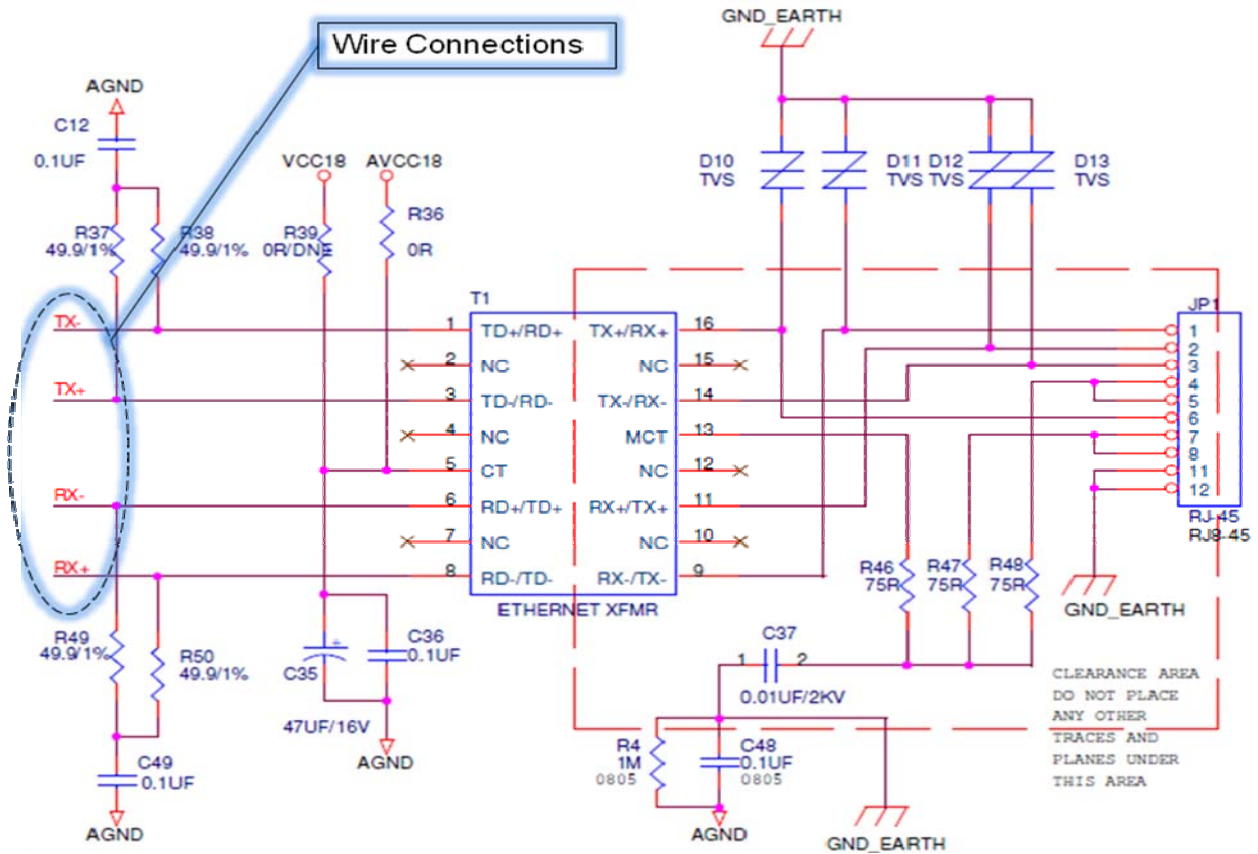
K. DM9620 – 2: DC 5V in Jack

- a. Connects to a DC-5V 1A Adaptor

L. DM9620 – 2: RJ-45 Phone Jack

- a. UNUSED

M. DM9620 – 1: Ethernet Transformer

 a. Wire connections for: **TX+, TX-, RX+, RX-**

N. DM9620 – 1: Ground Wire Connection

 a. **GND:** Ground Wire