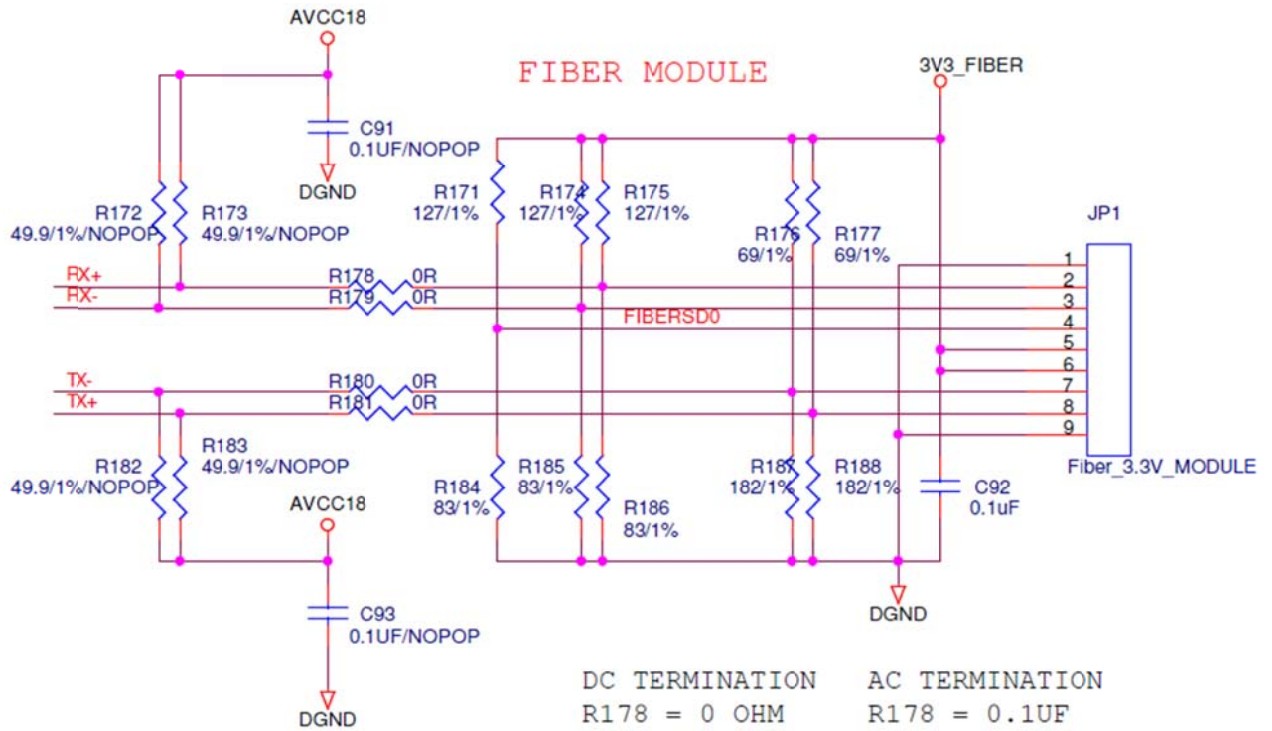


DM9620/DM9621 Fiber Mode

1. How to set DM9620/DM9621 in fiber mode.

DM9620 can detect the fiber mode through SD pin, pin no. 63 and by using this specific driver, it will transmit/receive data through fiber.

2. The differential pairs termination circuit for 3.3V fiber module.



DC TERMINATION	AC TERMINATION
R178 = 0 OHM	R178 = 0.1UF
R179 = 0 OHM	R179 = 0.1UF
R180 = 0 OHM	R180 = 0.1UF
R181 = 0 OHM	R181 = 0.1UF
R172 NOPOP	R172 = 49.9 OHM
R173 NOPOP	R173 = 49.9 OHM
R182 NOPOP	R182 = 49.9 OHM
R183 NOPOP	R183 = 49.9 OHM

3. Special notice for fiber module

The fiber module needs a standalone power, make sure the 3.3V power source satisfied all devices requirement.