



RFID- & UHF-Communication **MLX90132 / MLX73290-M**

EVB73290-M_1RF

The **MLX73290-M** is a low-cost sub-1 GHz transceiver designed for very low-power wireless applications.

WIZ921io

The **WIZ921io** & **WIZ922PoE** are one chip Internet Gateway-Modules, here used to bridge between RFID- and UHF-Communication.

ARM Cortex-M3 + W5200

The **WIZnet W5200** is a Hardwired TCP/IP Internet-Controller with MAC + PHY.

RFID-TAGS

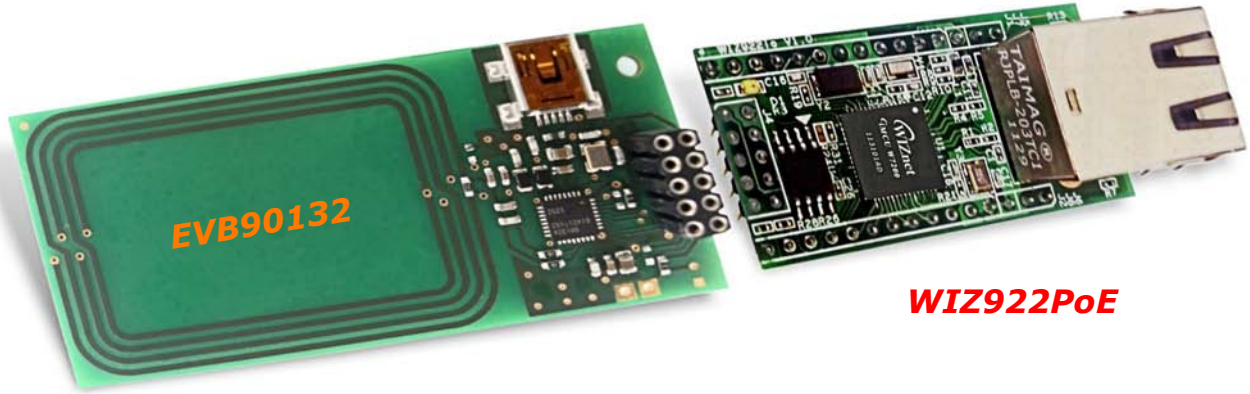
EVB90132

The **MLX90132** is a 13.56MHz, fully integrated, multi-protocol RFID/NFC transceiver IC.

**MLX90129
Sensor TAG**

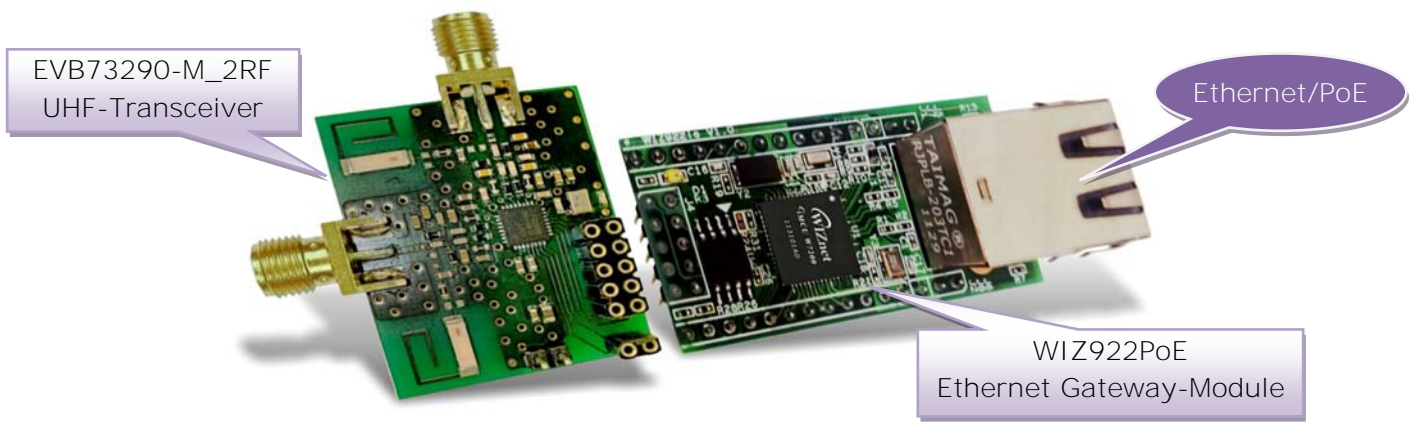
ISO / IEC Tag Card

RFID Reader Board and Internet Interface



WIZ922PoE

UHF-Communication EVB73290-M and Internet Interface

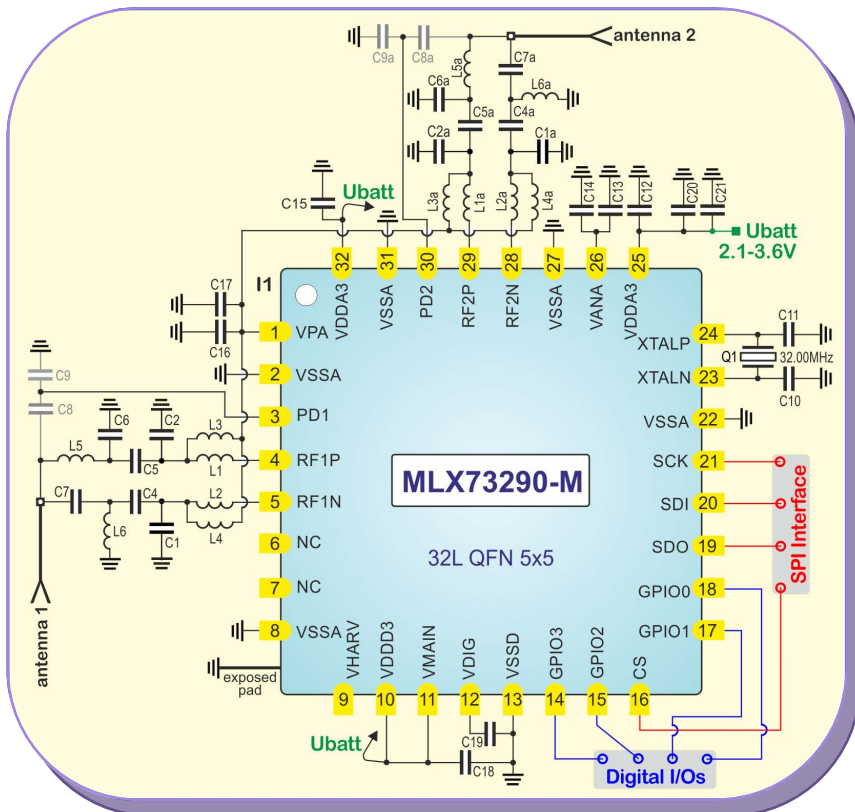


EVB73290-M_2RF
UHF-Transceiver

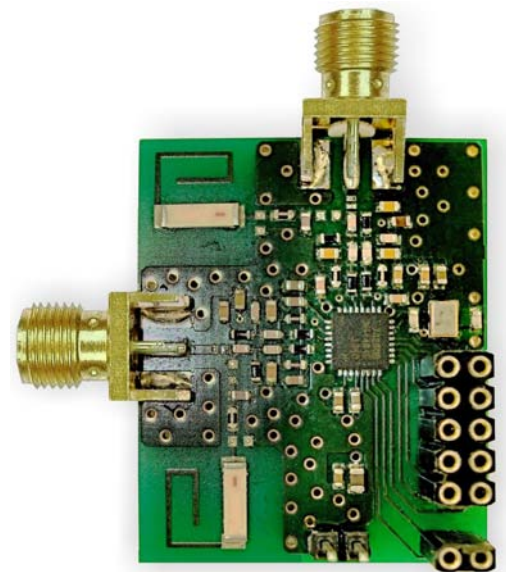
Ethernet/PoE

WIZ922PoE
Ethernet Gateway-Module

Application Circuit with 2 RF Ports



EVB73290-M_2RF



- Board size: 31 x 38mm²
- SMA Antenna Connector
- Ceramic Antenna 868MHz