

## RJ 45 Side Entry PCB Jack

MODEL NO. : RJ-006 NC1

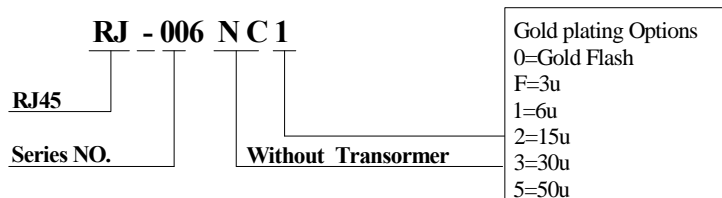
### Features:

- ⊙ RoHS Compliant
- ⊙ Meets IEEE802.3 Baseline Wander Compensation specification
- ⊙ Operating Temp Range : -25°C To +90°C
- ⊙ Voltage Rating: 125VAC
- ⊙ Current Rating: 1.5A
- ⊙ Dielectric Voltage : 1,000Vrms 60 Sec. Min
- ⊙ Design for 10/100BASE-TX Transmission UTP5

### Materials

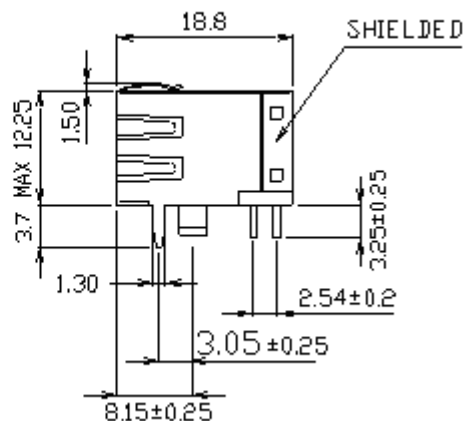
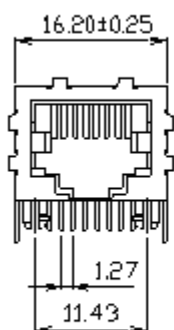
- ⊙ Plastic Housing : Engineering Thermoplastic  
Flammability Rating UL 94V-0
- ⊙ Contacts: 0.35mm Thickness Phosphor Bronze
- ⊙ Plating ( 6 μ" ) : Gold Plating Over Nickel in Contact, Tin Plating Over Nickel in Solder Area
- ⊙ Shield : Brass With Nickel Plated

### Ordering Information



Dimension: mm

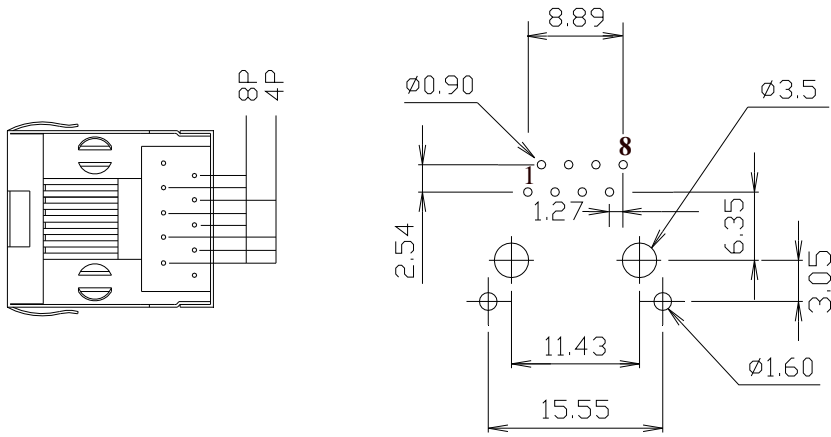
Tolerance :±0.25





NUMBER:RD-SD9705-10814-130E (UJ)  
DATE : 2005/10/18 -C (REV:A1)

**MODEL NO. : RJ-006 NC1**



PC Board Layout

## MODEL NO. : RJ-006 NC1

1. Unit weight :5.7 grams
2. package : 100 pcs / tray / 0.61 kgms
3. Carton : 1000 pcs / 10 layers of tray
4. Gross weight : 6.6455 kgms

### Package drawing:

