

RJ 45 Side Entry PCB Jack

MODEL NO. : RJ-028NAX Series

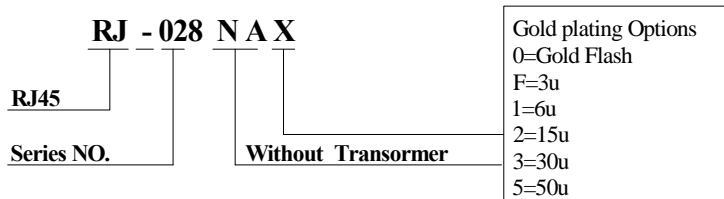
Features:

- ⊙ RoHS Compliant
- ⊙ Meets IEEE802.3 Baseline Wander Compensation specification
- ⊙ Operating Temp Range : -25°C To +90°C
- ⊙ Voltage Rating: 125VAC
- ⊙ Current Rating: 1.5A
- ⊙ Dielectric Voltage : 1,000Vrms 60 Sec. Min

Materials:

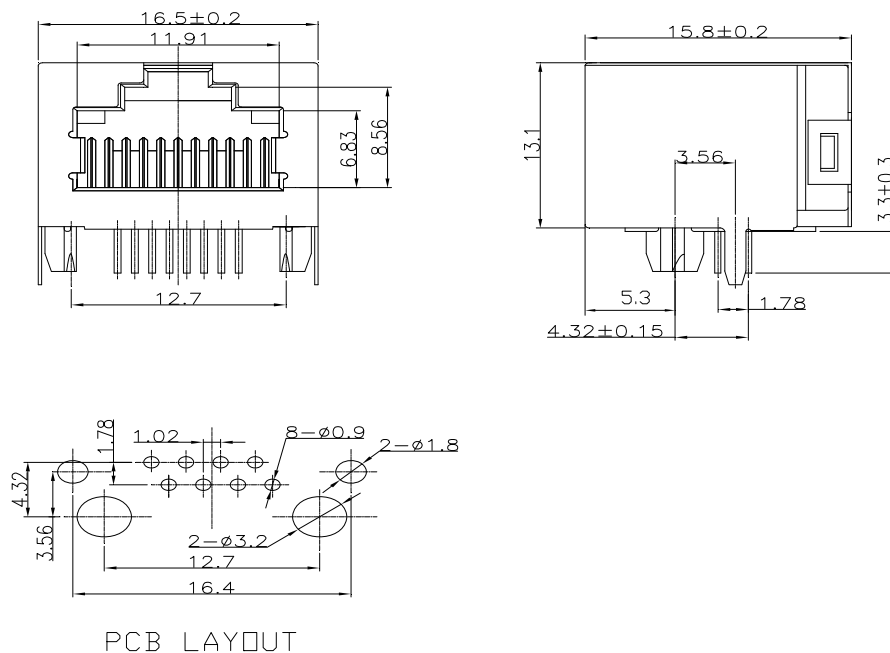
- ⊙ Plastic Housing : Engineering Thermoplastic
Flammability Rating UL 94V-0
- ⊙ Contacts: 0.36mm Thickness Phosphor Bronze
- ⊙ Plating (Xμ") : Gold Plating Over Nickel in Contact, Tin Plating Over Nickel in Solder Area
- ⊙ Shield : Brass With Nickel Plated

Ordering Information



Dimension: mm

Tolerance :±0.25





NUMBER:RD-SD-5623 S 8P8C(RS)
DATE : 2008/03/28 R(REV:A2)

MODEL NO.: RJ-028NAX Series

1. Unit weight :5.7 grams
2. package : 100 pcs / tray / 0.61 kgms
3. Carton : 1000 pcs / 10 layers of tray
4. Gross weight : 6.6455 kgms

Package drawing:

