

## 10/100 BASE-TX Filtered SMD Connector Module MODEL NO : RJSL-002TA1

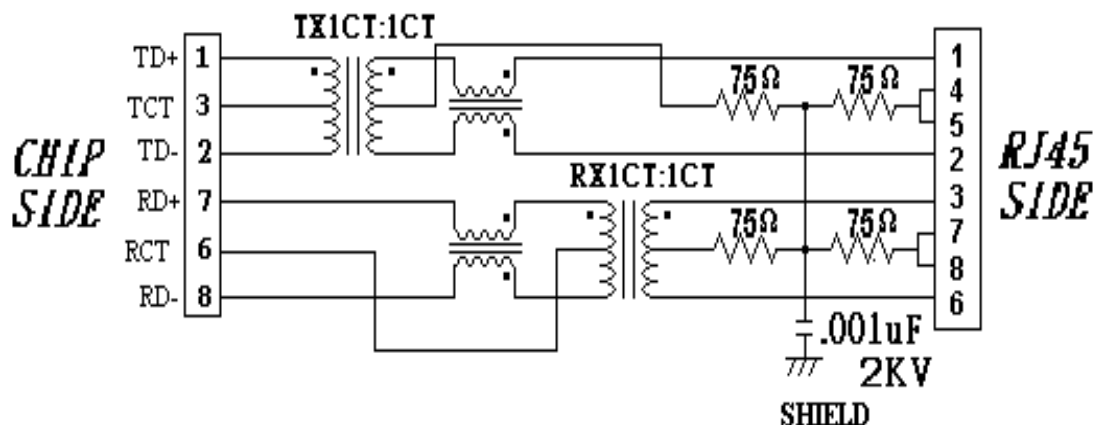
### Features:

- ⊙ RoHS Compliant
- ⊙ Fully shielded magnetics protect data from internally generated digital noise
- ⊙ Reduces the overall length of the signal path for improved common mode performance
- ⊙ Implements full common mode termination scheme with used and unused twisted pairs
- ⊙ Meets IEEE802.3 Baseline Wander Compensation specification
- ⊙ Integrates high voltage capacitor to chassis ground
- ⊙ Supports all major transceivers with matched turns ration and complete integration of specified termination
- ⊙ Design for 100base-tx transmission over UTP-5 cable
- ⊙ Operating TEMP. range: -40°C to +85°C
- ⊙ Storage TEMP. range: -55°C to + 125°C
- ⊙ Primary OCL inductance: 350μH MIN. at 100KHz/0.1Vrms with 8mA DC bias

### Typical Performance Characteristics@ 25°C

Insertion Loss (dB MAX)	Return Loss (dB Min @100±15Ω)				Differential to Common Mode Rejection (dB MIN)	Cross talk (dB MIN)					CMRR (dB MIN)	Isolation Voltage (Vrms min)
	MHz	MHz				MHz	MHz					
1~100	1~30	40	50	60~80	1~100	20	40	60	80	100	1~100	1500
-1.0	-16	-14	-12	-10	-33	-47	-40	-37	-35	-33	-30	

### Schematic:



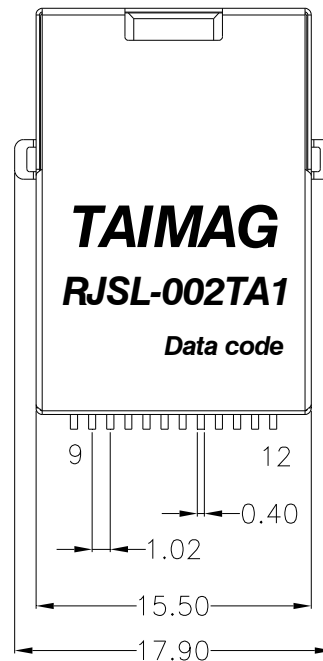
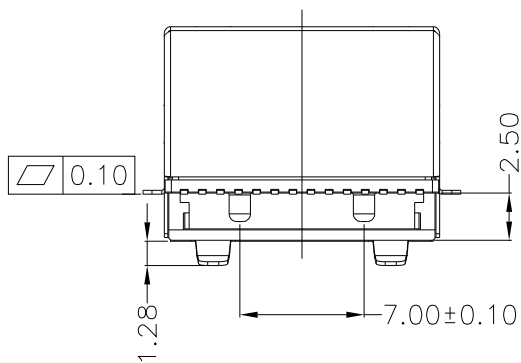
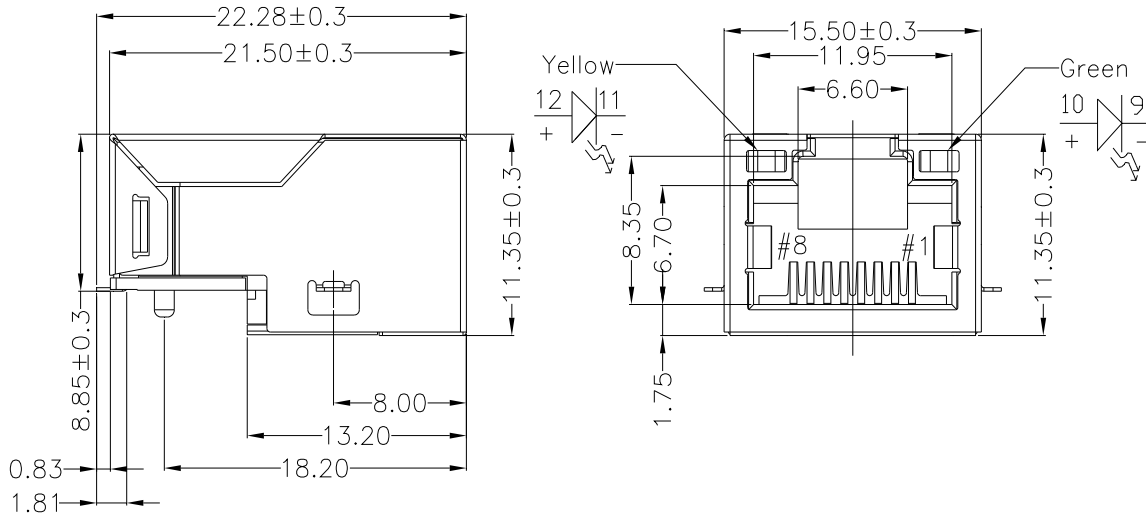


NUMBER:RD-SDRJSL-002TA1  
DATE :2010/03/09 R (REV:A3)

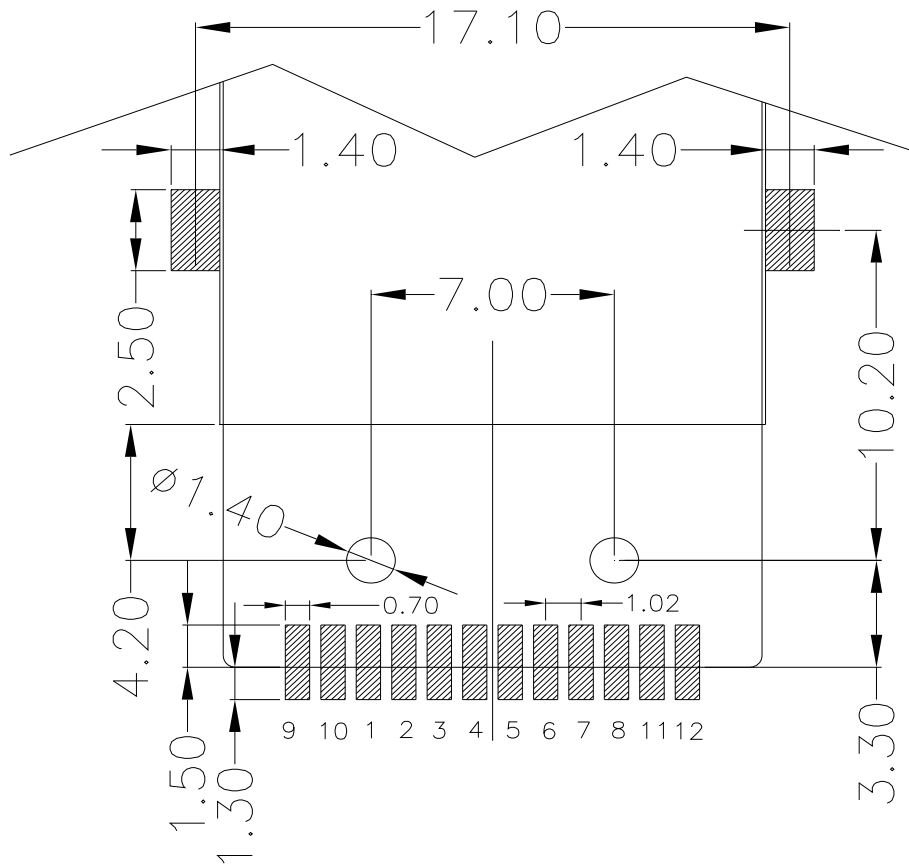
### MODEL NO : RJSL-002TA1

Dimension: mm

TOLERANCE:  $\pm 0.15$  (unless otherwise specified)



## MODEL NO : RJSL-002TA1



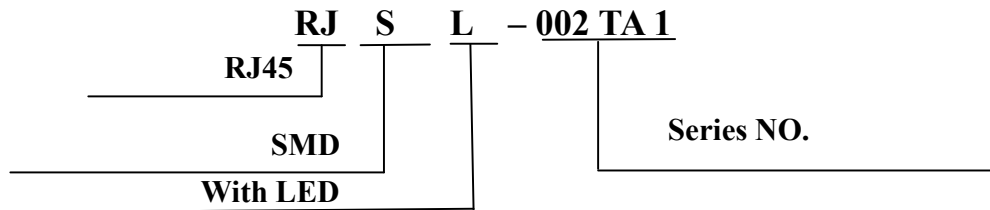
RECOMMENDED P.C.B LAYOUT  
COMPONENT SIDE OF BOARD



NUMBER:RD-SDRJSL-002TA1  
DATE :2010/03/09 R (REV:A3)

## MODEL NO : RJSL-002TA1

### Ordering Information



### Requirements :

#### 1. Design and Construction

Product shall be of design, construction and physical dimensions specified on applicable product drawing.

#### 2. Materials and Finish

##### A. Contact:

RJ Contact : Phosphor Bronze, Thickness=0.30mm

Finish : Contact Area :6 $\mu$ "min. Gold over 50  $\mu$ "min. Nickel

RJ Joint Contact : SPCC, Thickness=0.20mm

Finish : 80 $\mu$ "min. Sn over 50  $\mu$ "min. Nickel

LED Joint Contact : SPCC, Thickness=0.20mm

Finish : 80 $\mu$ "min. Sn over 50  $\mu$ "min. Nickel

##### B. Plastic Part :

(1) Set Housing : Thermoplastic, LCP, Black

UL FILE NO. : E106764

Manufacturer : POLYPLASTICS CO LTD.

Grade : E130i(d)(e)

Flame Class : UL 94V-0

(2) Insert : Thermoplastic, LCP, Black

UL FILE NO. : E106764

Manufacturer : POLYPLASTICS CO LTD.

Grade : E130i(d)(e)

Flame Class : UL 94V-0

(3) Spacer : Thermoplastic, LCP, Black

UL FILE NO. : E106764

Manufacturer : POLYPLASTICS CO LTD.

Grade : E130i(d)(e)

Flame Class : UL 94V-0



NUMBER:RD-SDRJSL-002TA1  
DATE :2010/03/09 R (REV:A3)

---

## **MODEL NO : RJSL-002TA1**

### **C. Shield Material :**

**Cartridge t=0.25mm  
10 $\mu$ "-20 $\mu$ " Thick Nickel over Brass**

### **D. LED Lamp**

- (a) Lens Color : Transparent with color**
- (b) Emitted Color : Green & Yellow**
- (c) View Angle : 65°**
- (d) Wave Length : Green 565nm ; Yellow 585nm**
- (e) Recommended operation current (IF) : 20 mA**

### **3. Ratings**

- (1) Voltage rating : 125 VAC**
- (2) Current rating : 1.5A**

### **Durability :**

- (1) 1000 cycles with no function damage for RJ-45 . Abnormalities shall be present after the test.**
- (2) Low Level Contact Resistance :  $\Delta R=30m\Omega$  maximum (final)**
- (3) The sample should be mounted in the tester and fully mated and unmated 500 times per hour at the rate of 25mm/min. EIA-364-09C.**



NUMBER:RD-SDRJSL-002TA1  
DATE :2010/03/09 R (REV:A3)

## MODEL NO : RJSL-002TA1

### PACKING :

1. Unit weight : 4.5 grams
2. Tape & Reel : 150pcs / Reel , 750pcs / Carton
3. Dry Pack : 1pcs

Product Description:(5g Silica Gel Desiccant)

PH: 4-8

Package Materials: Paper(Length 6.5±1cm , Width 5±1cm)

4. Reel Packed By Vacuum

5. Seal Per Jedec

ITEM	W	A0	B0	K0	K1	P	E	F	D	D1	P0	P2
DIM	44 <sup>+0.3</sup> <sub>-0.3</sub>	18.25 <sup>+0.1</sup> <sub>-0.1</sub>	23.5 <sup>+0.1</sup> <sub>-0.1</sub>	14.6 <sup>+0.1</sup> <sub>-0.1</sub>	12.8 <sup>+0.1</sup> <sub>-0.1</sub>	24 <sup>+0.1</sup> <sub>-0.1</sub>	1.75 <sup>+0.1</sup> <sub>-0.1</sub>	20.2 <sup>+0.1</sup> <sub>-0.1</sub>	1.5 <sup>+0.1</sup> <sub>-0.0</sub>	0.0 <sup>+0.25</sup> <sub>-0.0</sub>	4.0 <sup>+0.1</sup> <sub>-0.1</sub>	2.0 <sup>+0.1</sup> <sub>-0.1</sub>

